

RED Flag Notice
Time to End of Commercialization: 12 Months

Note: The red flag notification signals an **obsolescence**, withdrawal or discontinuation of a product.

Product Name(s):	49 Series PCB Relay
Product Line Description:	PCB & Reed Relays

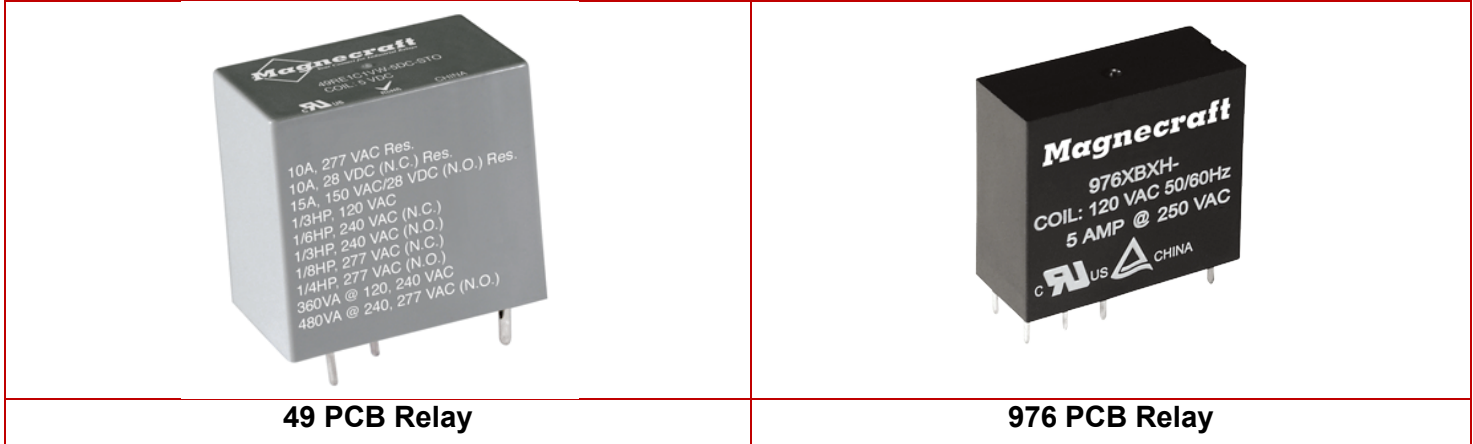
Description of Change:
 The 49 series PCB relays will become obsolete. The recommended replacement is the 976 PCB Relay Series.

Important Notes:

- Footprint change: The footprint / pin spacing and terminal arrangement differ between the two products. The original PCB will either need to be re-spun or a "baby or mini" board that matches traces will need to be utilized.
- Ratings enhancement – General Purpose and Resistive Loads: The 49 series offers 3A, 5A, & 10A versions compared to the 976 which offers 5A, 12A, & 20A versions.
- Please note that the 976 PCB Relay does not currently possess the motor load (hp), tungsten, ballast, TV-3, and pilot duty ratings of the 10A versions of the 49 PCB Relay.

Please refer to the transition supplement to transition applications to the 976 PCB relays as PCB footprint and terminal arrangement differ between the two products.

Product Photos



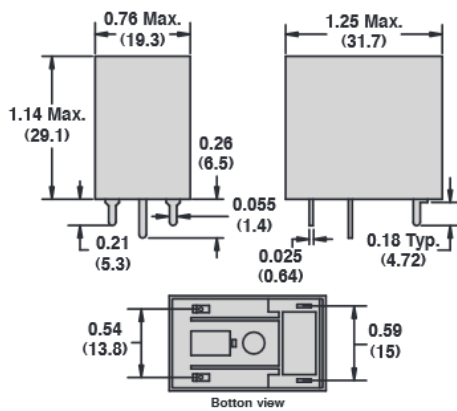
Critical Dates

Transition Tools:

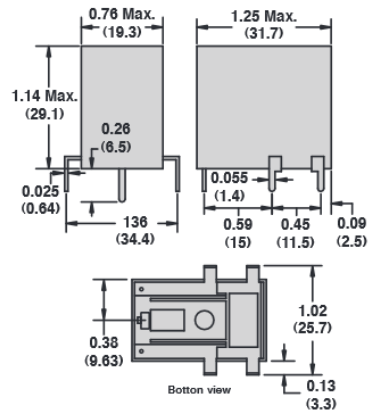
Please see attached excel sheet "Change Notice Red Mag 49PCB" for more details including wiring diagrams.

Product Dimensions

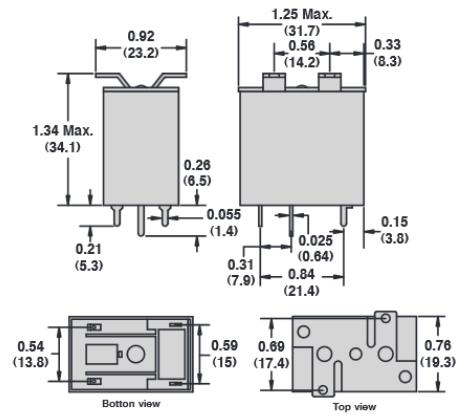
Narrow footprint style (RE1C1)



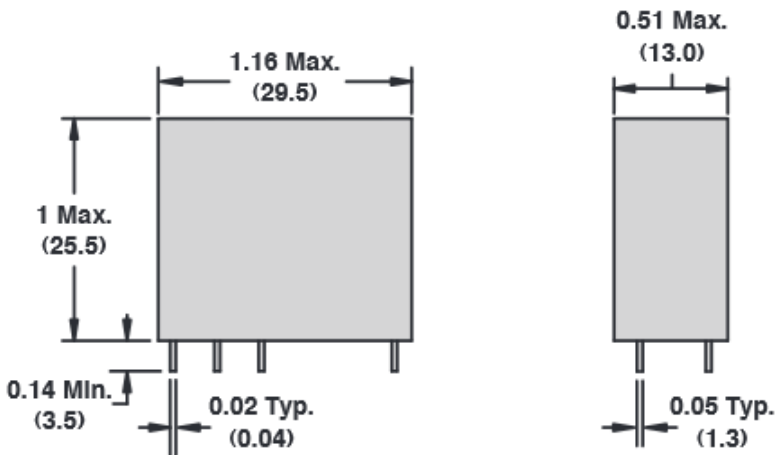
Wide footprint style (RE1C2)



Top mounting bracket style (R1C4)



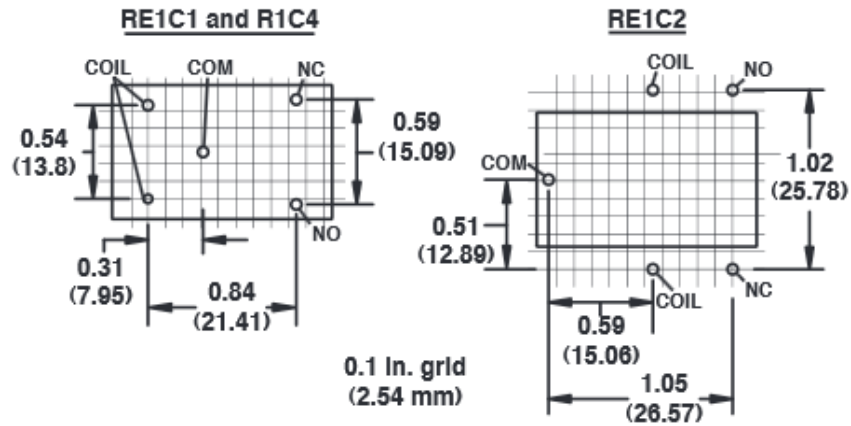
49 PCB Relay



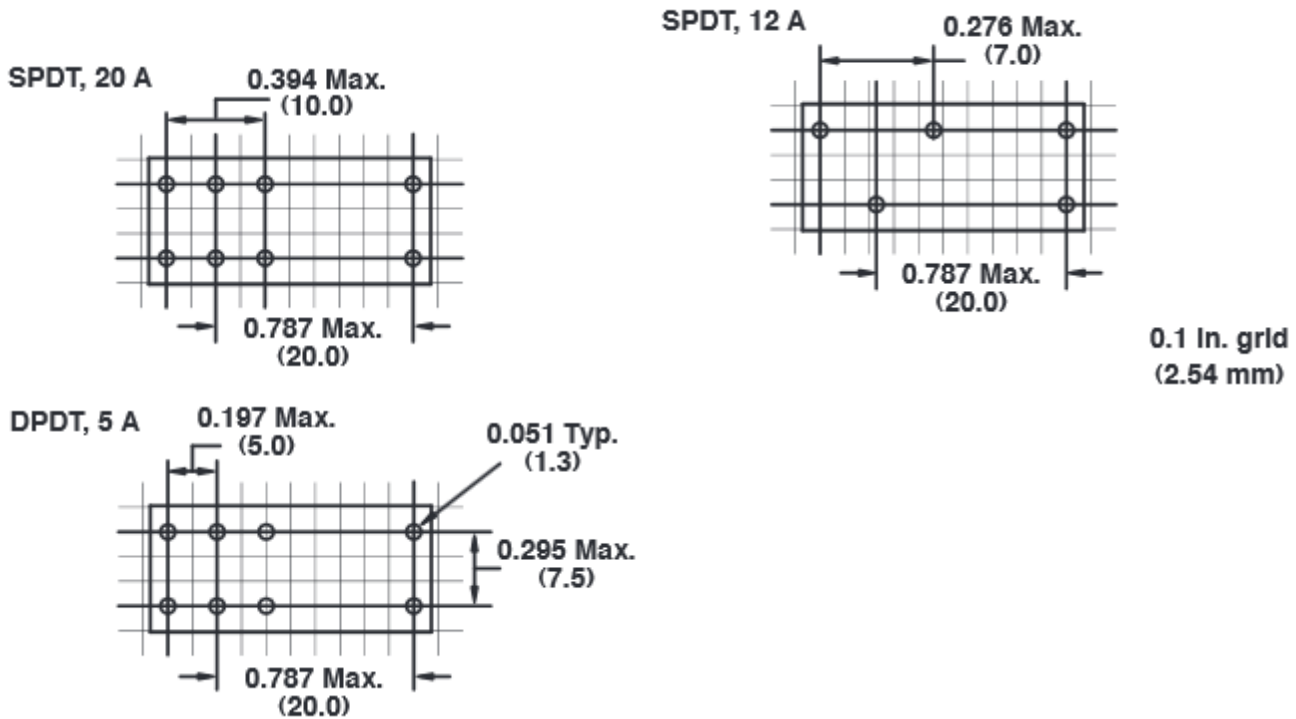
976 PCB Relay

PCB Spacing / Pin Out

Circuit board pin spacing
viewed from component side on PCB board



49 PCB Relay (Bottom View)



976 PCB Relay (Bottom View)